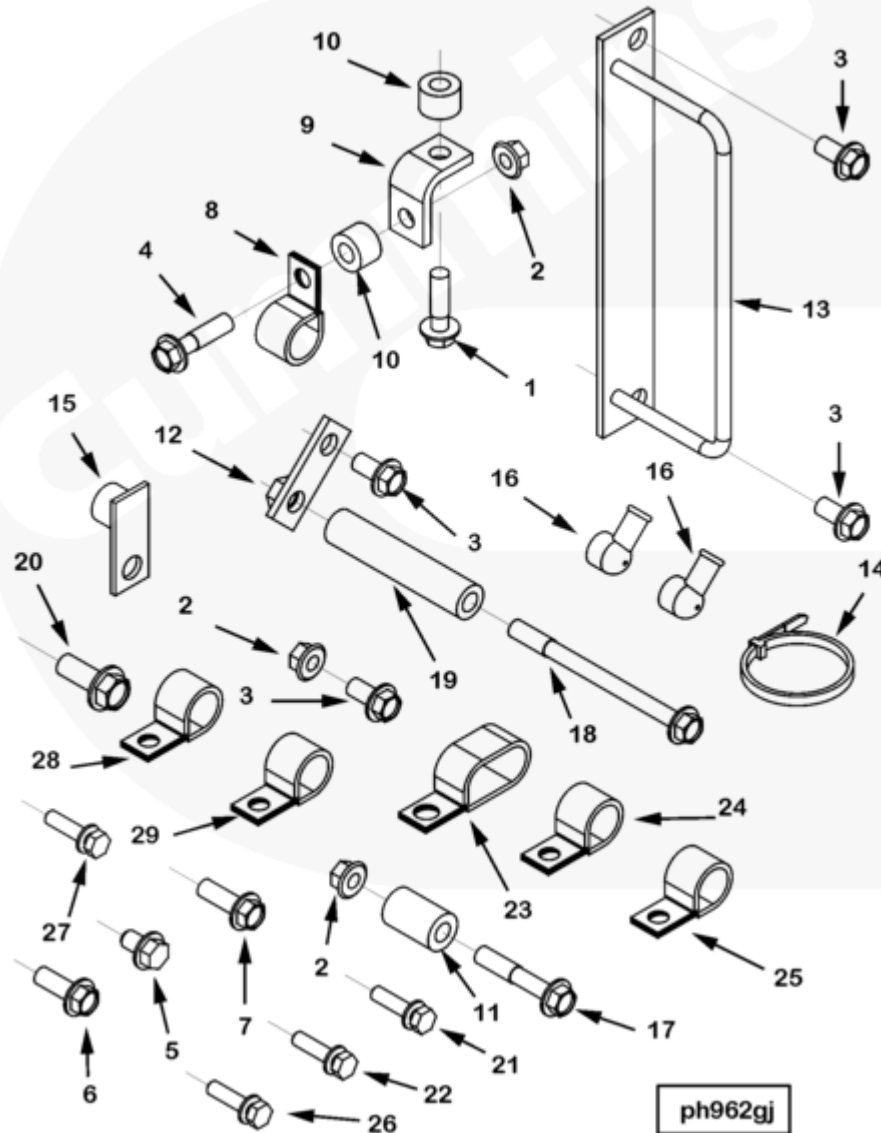




# Parts Catalog - Option Detail

| Electronic Parts Catalog - Option Detail |                                |         |           |           |
|--|--------------------------------|---------|-----------|-----------|
| Option                                   | Group                          | Graphic | Film Card | Date      |
| PH50028                                  | 05.06.1                        | ph962gj | P23       | 08-SEP-08 |
| <b>Engines</b>                           | QSK23 CM2250 K109, QSK23 CM500 |         |           |           |

©Cummins Inc



[SMALL](#) | [MEDIUM](#) | [LARGE](#)

| Cart                         | Ref No | Part Number             | Part Description               | Required | Remarks                    |
|------------------------------|--------|-------------------------|--------------------------------|----------|----------------------------|
| <a href="#">View My Cart</a> |        |                         |                                |          |                            |
|                              |        | <a href="#">PH50028</a> | Engine Control Module Mounting |          | Engine cnt module mounting |

|                          |    |                         |                               |    |                  |
|--------------------------|----|-------------------------|-------------------------------|----|------------------|
| <input type="checkbox"/> | 1  | <a href="#">3093805</a> | Hexagon Flange Head Cap Screw | 2  | M10 X 1.50 X 35. |
| <input type="checkbox"/> | 2  | <a href="#">3093828</a> | Hexagon Flange Nut            | 2  | M10 X 1.50.      |
| <input type="checkbox"/> | 3  | <a href="#">3093931</a> | Hexagon Flange Head Cap Screw | 3  | M10 X 1.50 X 20. |
| <input type="checkbox"/> | 4  | <a href="#">3094512</a> | Hexagon Flange Head Cap Screw | 1  | M10 x 1.50 x 40  |
| <input type="checkbox"/> | 5  | <a href="#">3863703</a> | Hexagon Flange Head Cap Screw | 2  |                  |
| <input type="checkbox"/> | 6  | <a href="#">3864129</a> | Hexagon Flange Head Cap Screw | 1  |                  |
| <input type="checkbox"/> | 7  | <a href="#">3925344</a> | Hexagon Flange Head Cap Screw | 1  | M10 X 1.50 X 30. |
| <input type="checkbox"/> | 8  | <a href="#">4006536</a> | Clip                          | 2  |                  |
| <input type="checkbox"/> | 9  | <a href="#">4095498</a> | Hose Brace                    | 2  |                  |
| <input type="checkbox"/> | 10 | <a href="#">4095529</a> | Mounting Spacer               | 4  |                  |
| <input type="checkbox"/> | 11 | <a href="#">4095538</a> | Mounting Spacer               | 1  |                  |
| <input type="checkbox"/> | 12 | <a href="#">4095554</a> | Clamping Plate                | 1  |                  |
| <input type="checkbox"/> | 13 | <a href="#">4095631</a> | Wiring Retainer Bracket       | 1  |                  |
| <input type="checkbox"/> | 14 | <a href="#">4095647</a> | Hose Clamp                    | 11 |                  |
| <input type="checkbox"/> | 15 | <a href="#">4095680</a> | Connection Bracket            | 1  |                  |
| <input type="checkbox"/> | 16 | <a href="#">4095687</a> | Electrical Terminal Boot      | 2  |                  |
| <input type="checkbox"/> | 17 | <a href="#">4095839</a> | Hexagon Flange Head Cap Screw | 1  |                  |
| <input type="checkbox"/> | 18 | <a href="#">4095939</a> | Hexagon Flange Head Cap Screw | 1  |                  |
| <input type="checkbox"/> | 19 | <a href="#">4096028</a> | Mounting Spacer               | 1  |                  |
| <input type="checkbox"/> | 20 | <a href="#">4096712</a> | Captive Washer Cap Screw      | 1  |                  |
| <input type="checkbox"/> | 21 | <a href="#">4096713</a> | Captive Washer Cap Screw      | 2  |                  |
| <input type="checkbox"/> | 22 | <a href="#">4096720</a> | Captive Washer Cap Screw      | 1  |                  |
| <input type="checkbox"/> | 23 | <a href="#">4096742</a> | Clip                          | 1  |                  |
| <input type="checkbox"/> | 24 | <a href="#">4096745</a> | Clip                          | 1  |                  |
| <input type="checkbox"/> | 25 | <a href="#">4096746</a> | Clip                          | 2  |                  |
| <input type="checkbox"/> | 26 | <a href="#">4096758</a> | Captive Washer Cap Screw      | 1  |                  |
| <input type="checkbox"/> | 27 | <a href="#">4096760</a> | Captive Washer Cap Screw      | 2  |                  |
|                          | 28 | <a href="#">4944971</a> | Clip                          | 2  |                  |
| <input type="checkbox"/> | 29 | <a href="#">4945746</a> | Clip                          | 1  |                  |

